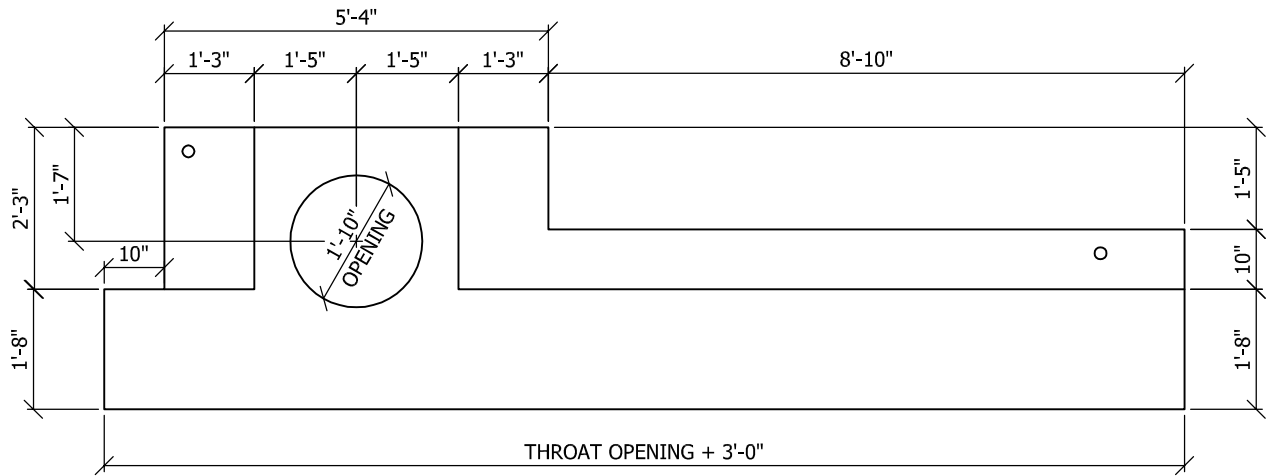
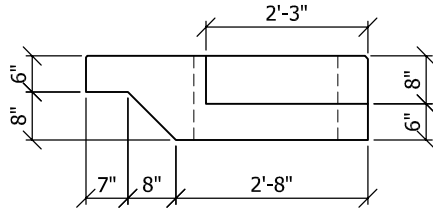


PLAN VIEW
(THROAT OPENING 4'-0")



PLAN VIEW
(THROAT OPENING 6'-0" TO 18'-0")



END VIEW

NOTES:
PER NDOR STANDARD PLAN 443

Rev.#	Rev.Description	Date		WORKMAN PRECAST CORPORATION P.O. Box 400 Louisville, NE 68037 TEL: (402) 234-2100 FAX: (402) 2342128				NEBRASKA DEPARTMENT OF ROADS STANDARD CURB INLETS				PIECE MARK
				DRWN	DATE	CHKR	DATE	DRWN	DATE	CHKR	DATE	
				PKM	10/14/09	NAM	10/15/09					